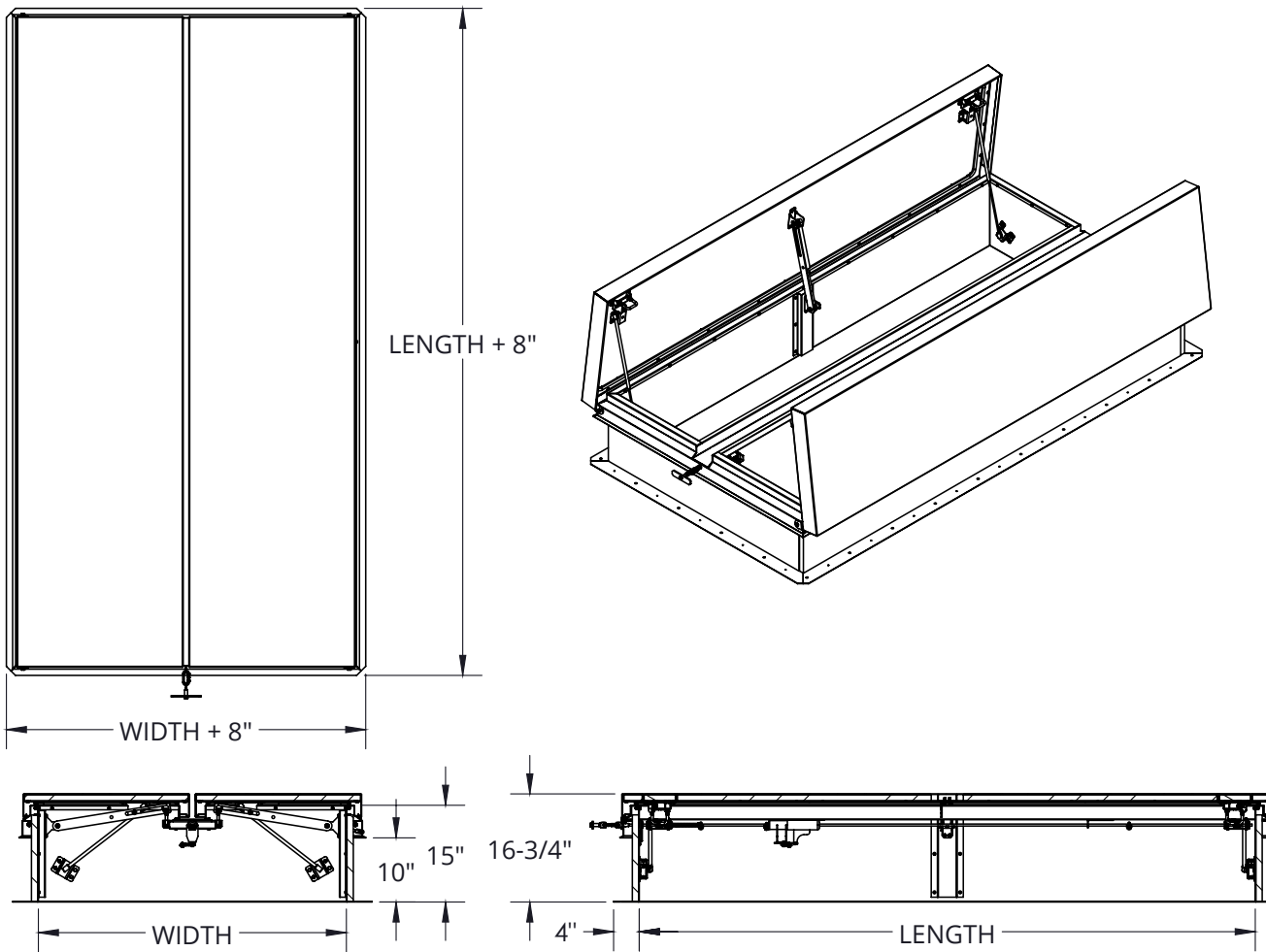


ROOF ACCESSORIES - FARHRENHEIT™ SERIES SMOKE VENT - RVF

Our UL 793 listed double door smoke vents automatically open during a fire with a heat responsive device, releasing harmful smoke and fumes. Smoke vents are required as referenced in International Building Code section 410 for stages, platforms and technical production areas and section 910 for smoke and heat removal in storage and warehouse occupancies.



SPECIFICATIONS:

Material:

Curb: 14 gauge galvalneal steel

Cover: 11 gauge aluminum with 18 gauge aluminum cover liner

Finish: Silver textured powder coat paint

Gasket: Continuous, weatherproof EPDM sponge rubber adhesive-backed seal

Insulation: 1" polyisocyanurate (R-6) on curb and in cover

Hinge: Heavy-duty aluminum hinge with bolt pin

Hold-Open Arm: Clear zinc-plated steel hold-open arm

Latch: Rotary latch mechanism designed to hold covers closed against 90psf wind uplift. Opens manually with internal and external manual pull handles and automatically with fusible link

Fusible Link: 165° UL 33 listed fusible link

Spring: Gas springs with dampers automatically open against 10PSF snow load

Sizes:

Minimum: 48" x 48"

Maximum: 48" x 96"

ROOF OPENING = ORDER SIZE

CERTIFICATIONS:

UL 793 listed and labeled up to 48" x 96"

OPTIONS & ACCESSORIES:

Options: Double wall curb, curb mount, 2" polyisocyanurate curb and cover, electrical/thermal McCabe® links, various fuse link temperatures, curb heights 16" - 22"

Accessories: Security grille



800-554-6077
 sales@activarcpg.com
 www.activarcpg.com

Distributor:		Project:
Contractor:		Approved By:
Date:		Architect:
Scale: N/A	Pages: 1 of 2	Item #:

ROOF ACCESSORIES - FARHRENHEIT™ SERIES SMOKE VENT - RVF

COMMON SIZES

QTY	MODEL	CURB OPENING Width x Length	WEIGHT Lbs.
	RVFGA-4848ST	48" x 48"	225
	RVFGA-4860ST	48" x 60"	250
	RVFGA-4872ST	48" x 72"	275
	RVFGA-4890ST	48" x 90"	315
	RVFGA-4896ST	48" x 96"	330

More sizes available upon request

MADE-TO-ORDER RVF - EXAMPLE: RVFGA-4860ST-ITL2LO

QTY	MODEL	MATERIAL	WIDTH (max 48")	LENGTH (max 96")	FINISH*	OPTIONS	OPTIONAL MCCABE® LINK	OPTIONAL MELT OUT FUSE LINK
	RVF	GA Steel Curb, Aluminum Cover			ST Powder Coat Silver Textured	CD Double wall curb	L165L 165° F 24VDC	L212 212° F
						CM Curb mount	L165H 165° F 115VAC	L280 280° F
						IT 2" polyisocyanurate on curb	L212L 212° F 24VDC	L350 350° F
						ITT 2" polyisocyanurate on curb & cover	L212H 212° F 115VAC	L360 360° F
						HXX Curb heights 16" - 22" Indicate size below:	L285L 285° F 24VDC	L370 370° F
							L285H 285° F 115VAC	L386 386° F
								L450 450° F

*Additional UL 1332 approved finish colors available upon request



SECURITY GRILLE, ORDERED SEPARATELY MADE-TO-ORDER - EXAMPLE: RSGD-4896ST

QTY	MODEL	Size (W x H)	FINISH
	RSGD Drop-in grille 1/2" diameter spaced 6" x 12"	4848 (48" x 48")	ST Silver Textured
	RRGB Bolt-in grille 1/2" diameter spaced 6" x 12"	4872 (48" x 72")	
		4890 (48" x 90")	
		4896 (48" x 96")	

It is the responsibility of the customer to communicate specifications and product performance requirements that are needed for their application. This document is intended to convey potential product configurations and offerings. It is not to be used to imply or represent a specification or rating, of finished products shipped. Detailed, specific submittals can be created upon request. It is the responsibility of the customer to specify product accordingly to comply with local laws, codes, and ordinances.